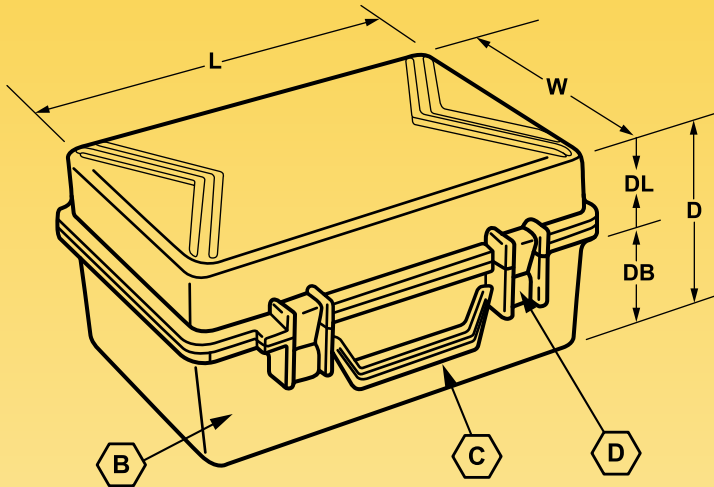


Standard Specifications

STRUCTURE MOLDED • KP192-2020

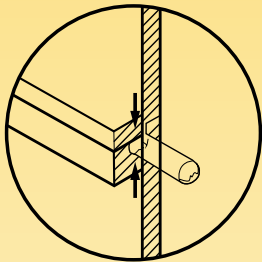
STANDARD SPECIFICATIONS – STRUCTURE MOLDED. KP192-2020



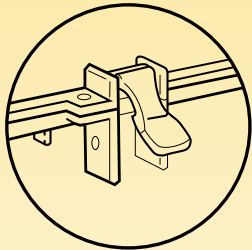
CODE **B** CASE: MOLDED STRUCTURAL FOAM, HIGH IMPACT ABS STANDARD COLOR: SLATE GRAY.

CODE **C** HANDLE: ONE MOLDED HIGH-IMPACT ABS.

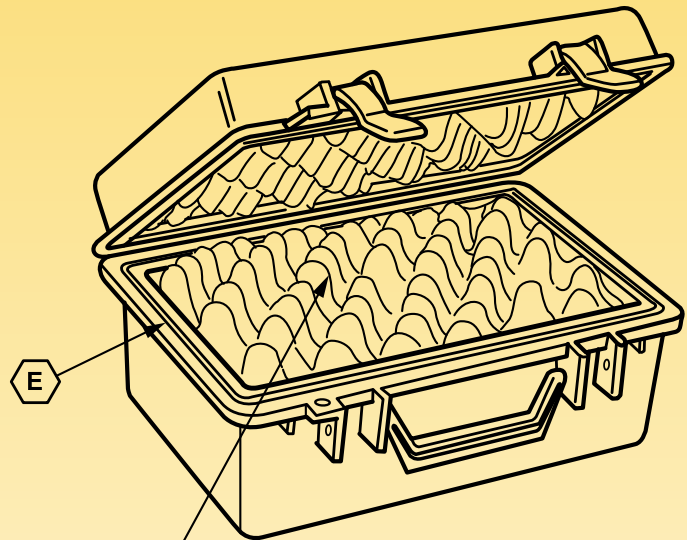
LABEL AREA: 6" x 6"



CODE **E** GASKET:
NEOPRENE - MEDIUM DENSITY
WATERPROOF SEAL.



CODE **D** HASP:
TWO MOLDED HIGH-IMPACT ABS.



CODE **Q** FILLER CUSHION: FLEXIBLE POLYURETHANE,
TWO PIECES, EACH CONVOLUTED ONE SIDE, TWO
PIECES FLAT, SIZED TO FILL CASE.
COLOR: CHARCOAL

PART NUMBER	INTERIOR SIZE L x W x D INCHES -nominal	EXTERIOR SIZE L x W x D INCHES actual	SPECIFICATIONS CODE	WEIGHT OUNCES
KP192-2020-0004	12 x 8 x 6 (2/4)	13 3/8 x 10 x 7	BCDEQ	5 lbs 6 oz
KP192-2020-20512	20 1/2 x 12 x 8 (3/5)	21 3/4 x 14 3/8 x 9	BCDEQ	11 lbs

melmat inc.

Call, Fax or Email your order today

714.379.4555 • 800.635.6289 • FAX 714.379.4554

5333 Industrial Drive • Huntington Beach, CA 92649 www.melmat.com • email: cases@melmat.com